



Village of Itasca  
Community Development Department  
550 W. Irving Park Rd. Itasca, IL 60143  
Phone: 630/773-5568 Fax: 630/773-0852  
[www.itasca.com](http://www.itasca.com)

**RESIDENTIAL PERMENENT BACK UP GENERATORS**  
**Article 445 NEC 2008 Edition**  
**INSTALLATION REQUIREMENTS**

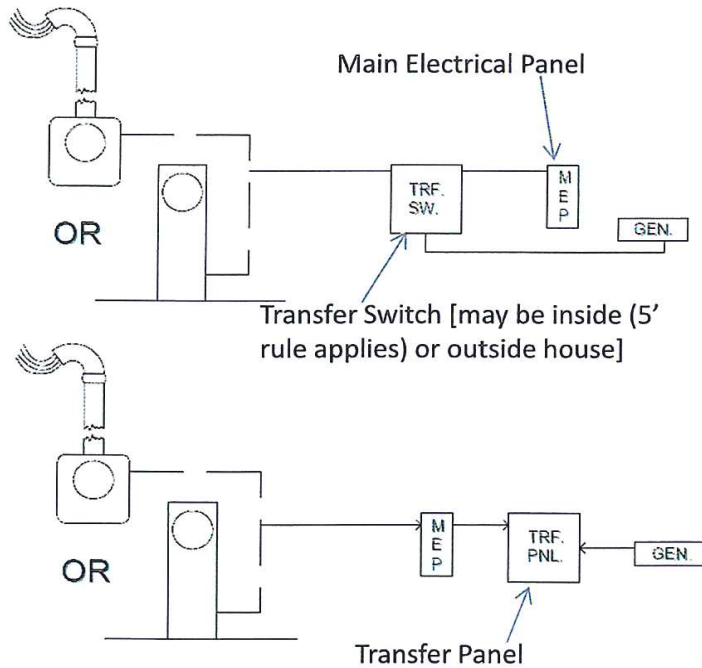
1. Location: Section 445.10 requires that: “Generators shall be of a type suitable for the locations in which they are installed. They shall also meet the requirements for motors in Section 430.14”
2. Generators shall be located in rear yards only to be in compliance with Zoning Ordinances.
3. Markings: Section 445.11 requires that: “Each generator shall be provided with a nameplate giving the manufacturer’s name” and other technical information specific to the unit.
4. Overcurrent Protection: Section 445.12, Sub-section (A) requires that: “Generators shall be protected from overloads by inherent design, circuit breakers, fuses, or other acceptable overcurrent protective means suitable for the conditions of use.”
5. Ampacity of Conductors: Section 445.13 requires that the wires from the generator terminals to the first overcurrent protective device (OCPD) be not less than 115 percent of the nameplate current rating of the generator. This is already done by OEM on packaged units.
6. Disconnecting Means: Section 445.18 requires that generators be equipped with disconnect(s), lockable in the open position, by which the generator and all related circuits are disconnected from the circuits supplied by the generator, Again, this is supplied by OEM on packaged units.
7. Installers: Only licensed electricians registered with the Village of Itasca may perform generator installations.

**SEE BELOW PAGES FOR EXAMPLES**

REQUIRED INSPECTIONS

1. Base
2. Gas Piping
3. Underground Electric

## Permit Application Requirements for Permanent Residential Generators



-If power flows from meter to transfer switch FIRST, then to Main Electrical Panel (MEP) then an Available Fault current letter from ComEd is REQUIRED.

-If power flows from Meter to Main Electrical Panel (inside house) FIRST, then no Available Fault Current letter is needed.

## Clearances for Residential Generator Installations

### NFPA 37

**4.1.4 ENGINES LOCATED OUTDOORS.** Engines, and their weather-proof housings if provided, that are installed outdoors shall be located at least 1.5m (5ft.) from openings in walls and at least 1.5m (5ft.) from structures having combustible walls. A minimum separation shall not be required where the following conditions exist:

1. The adjacent wall of the structure has a fire resistance rating of at least 1 hour.
2. The weatherproof enclosure is constructed of noncombustible materials, and it has been demonstrated that a fire within the enclosure will not ignite combustible materials outside the enclosure. Minimum separation shall be 18" or greater as specified in manufacturer's installation instructions.

